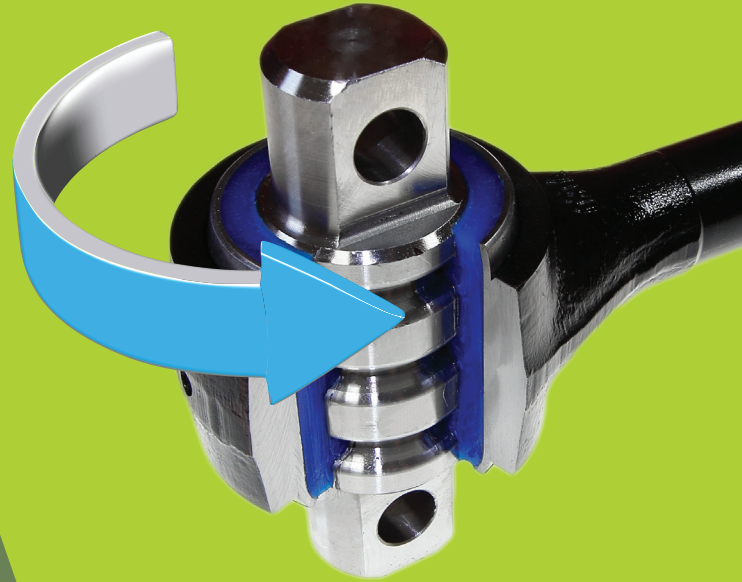


### ATRO's Rotating Pin Torque Rod Bushing

Better engineering. Faster, simpler installation.

ATRO's innovative torque rods have rotating pins with custom engineered polyurethane bushings. They install easier and last longer than competitor parts. No dry out, no corrosion, no wind up.

ATRO parts outperform rubber parts by 3-5 times.

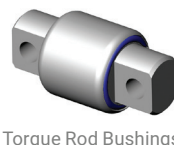
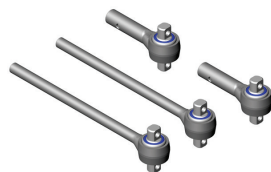
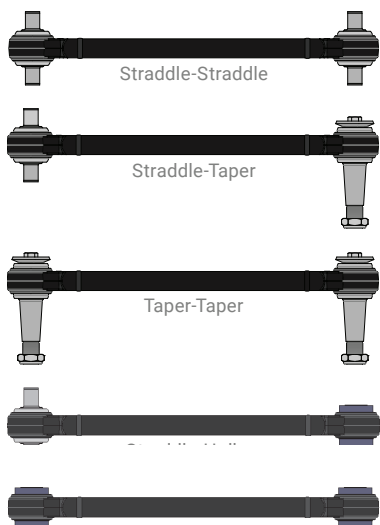


The ATRO torque rod pin can rotate a full 360° and adjust to any clocking angle for fast, easy installation.

- ATRO polyurethanes are 3-5 times stronger than rubber.
- Resistant to oils, grease, road salt, and other chemicals.
- Specific compounds optimize the performance of each part.



Find the rod you need fast with ATRO's Torque Rod Finder.



Save time and cost with ATRO Torque Rods.

- Less inventory: one rod fits any clocking angle.
- Eliminates bushing wind up (typical with rubber).
- Reduces stress on the ENTIRE suspension.
- Longer life reduces customer's operating costs.

Available configurations:

- Large-Eye Torque Rods
- Small-eye Torque Rods
- Two-Piece Torque Rods
- V-Rods
- Custom Rods



ATRO Parts. Performance that drives your success.

ATRO, LLC | 6 Bolte Lane | St. Clair, MO 63077 USA | Phone (800) 325-6114

[www.atrobushing.com](http://www.atrobushing.com)

© 2024 ATRO, LLC