



ATRO®

ADDITIONS TO THE ATRO TRAILER COMPONENTS LINE

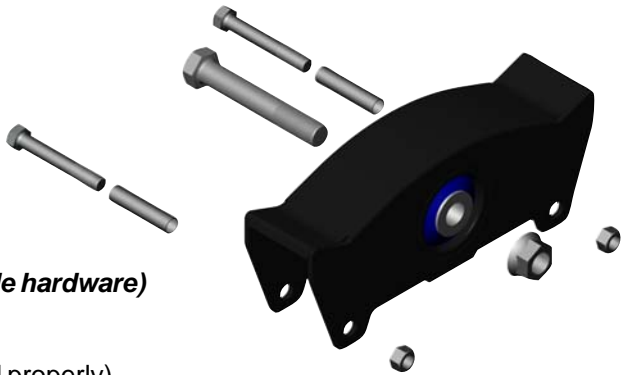
PRODUCT Announcement

ATRO is an ISO 9001 Registered Manufacturer of Polyurethane Components for the Heavy-Duty Suspension Industry.

*REYCO/TRANSPRO/GREAT DANE EQUALIZER BEAM
Reyco Model 86/88/89 Four Spring Trailer Suspension
Great Dane Model "R" Four Spring Suspension*

EQ83-35000 Equalizer Beam

Cross-references: Reyco/Transpro 0650-00
Great Dane 0650-00
Dayton 338-378
Automann EQ022
Euclid E-4813
Flagg TP100
(NOTE: Crosses do NOT include hardware)



Quantity Per Suspension: 2

Warranty: 1 year (warranty void if springs are not aligned properly)

Includes: (1) Beam with Bushing; (1) 1" Bolt; (1) Flanged Locknut;
(2) 5/8" Bolts; (2) 5/8" Nuts; (2) Spacer Sleeves

Dimensions: Beam Length: 16 1/2"; Bushing ID: 1"

COMPANION PART NUMBERS

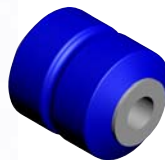
EQ83-35902 Equalizer Bushing

Cross References: Reyco/Transpro 0649-02;
Great Dane 0649-02; Dayton 321-194, 321-194U;
Automann TRB5544; Euclid E-4827; Flagg TP110

Qty Per Suspension: 2

Warranty: 3 years

Dimensions: OD: 3 5/16"
ID: 1"
Length: 4"



EQ83-35904 Equalizer Bushing Kit

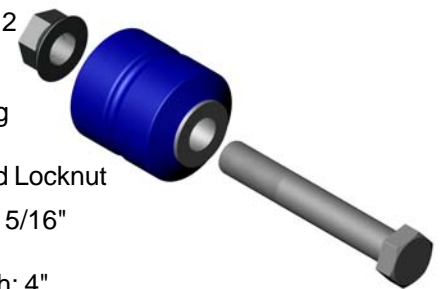
Cross References: Reyco/Transpro K0649-04;
Great Dane K0649-04; Dayton 334-628;
Automann TRK5544; Euclid E-4827; Flagg TP108

Qty Per Suspension: 2

Warranty: 3 years

Includes: (1) Bushing
(1) 1" Bolt
(1) Flanged Locknut

Dimensions: OD: 3 5/16"
ID: 1"
Length: 4"



ATRO is not liable for any errors herein. All manufacturers' names and part numbers used are trademarked by the respective manufacturer. These names and part numbers are being used without permission. No endorsement, affiliation or recommendation is implied. They are included for reference purposes only. Some products shown here are covered by Canadian Patent 1,327,979; Australian Patent 630,358.



1250 Airport Road, Sullivan, Missouri 63080 USA
(800) 325-6114 • Fax: (573) 860-8401
www.atrobushing.com • e-mail sales@atrobushing.com

PROUDLY MADE IN SULLIVAN, MISSOURI ★ U.S.A.

ATRO QUALITY... MOLDING THE FUTURE

©2009 ATRO® ENGINEERED SYSTEMS, INC.

PA072309NP