



# ATRO®

# PRODUCT Announcement

 **ATRO®** is an ISO 9001 Registered Manufacturer of Polyurethane Components for the Heavy-Duty Suspension Industry

## CM55-61454 Cab Mount Bushing Kit (set of 2)

**Application:** International Truck 43000 Series

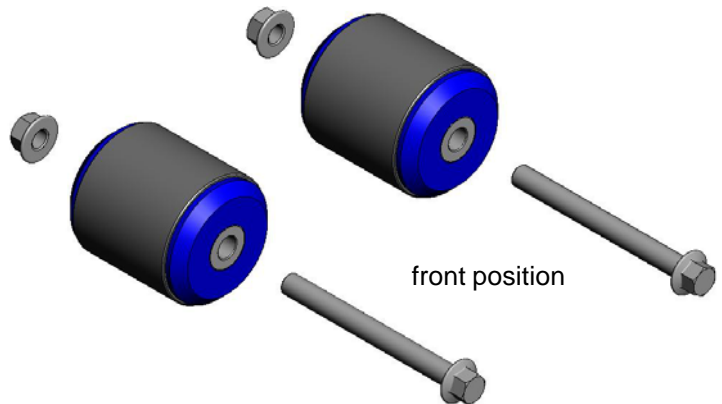
**Cross-reference:**

International 357467C91 Left Bracket  
International 3589599C91 Right Bracket

**Dimensions:** OD: 2.88"  
ID: .50"  
Length: 3.28"

**Quantity per Suspension:** 2

**Warranty:** 1 year



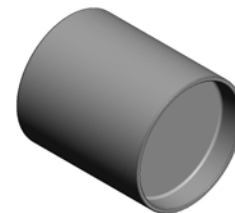
**Note:**

ATRO bushings fit either left or right side of front cab mounting position.  
Customer must reuse the O.E. brackets.  
Customer must furnish fasteners to re-mount O.E. bracket onto vehicle.

(O.E. uses non re-useable fasteners).  
ATRO does not build rear cab mount bushings at this time.

### PT55-56454 Press Tool

Press In/Removal Tool for ATRO part number CM55-61454 and O.E. Rubber bushing.



ATRO is not liable for any errors herein. All manufacturers' names and part numbers used are trademarked by the respective manufacturer. These names and part numbers are being used without permission. No endorsement, affiliation or recommendation is implied. They are included for reference purposes only. Some products shown here are covered by Canadian Patent 1,327,979; Australian Patent 630,358.



**PROUDLY MADE IN  
SULLIVAN, MISSOURI ★ U.S.A.**

**ATRO QUALITY... MOLDING THE FUTURE**

1250 Airport Road, Sullivan, Missouri 63080 USA  
(573) 860-8400 • (800) 325-6114 toll-free • Fax: (573) 860-8401  
www.atrobushing.com • e-mail atro@atrobushing.com

©2009 ATRO ENGINEERED SYSTEMS, INC.

PA091009NP