

JUNE 6, 2022

PRODUCT ANNOUNCEMENT



Additions to **ATRO's** Volvo Products

SU96-29083

Wear Pad, Spring

Fitment: Volvo VN and VT, Corporate Air Ride

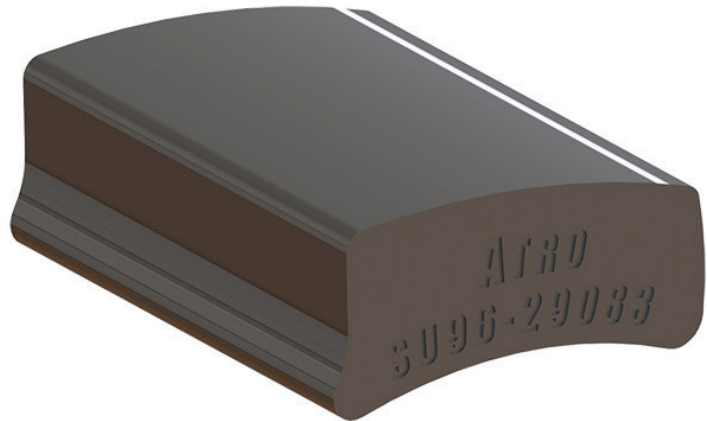
Dimensions:

Length: 3.05"

Width: 2.77"

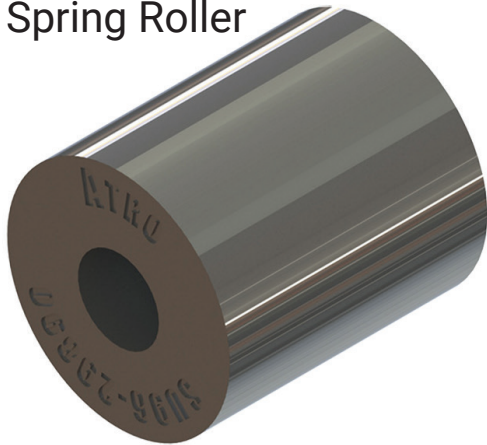
Cross References

Volvo: 10QK289M



SU96-29890

Spring Roller



Fitment: Volvo VN and VT, Corporate Air Ride

Dimensions:

Length: 2.64"

Inside Diameter: .83"

Outside Diameter: 2.28"

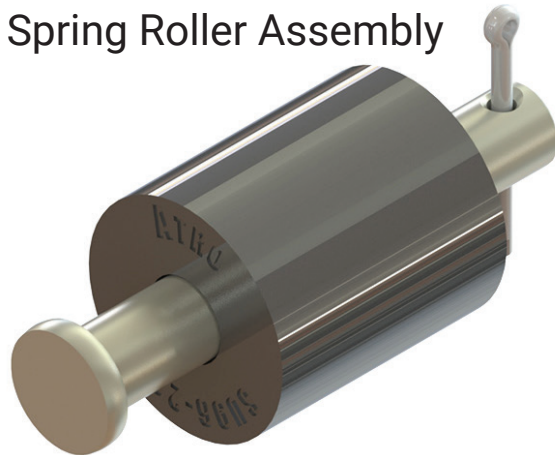
Cross References

Mack: 10QK289M

Volvo: 8079890

SU96-29891

Spring Roller Assembly



Fitment: Volvo VN and VT, Corporate Air Ride

Contains:

(1) SU96-29890

(1) Pin

(1) Cotter Pin

Qty Per Axle: 2

ATRO

ENGINEERED SYSTEMS

With ATRO behind you, drive forward.

SUSPENSION | TRAILER | STEERING | TORQUE ROD | UNDERCAB/HOOD | SERVICE PARTS | TOOLS

PA011 -060622

6 Bolte Lane
St. Clair, Missouri 63077 • U.S.A.
800.325.6114 • Fax 866.920.2005

ATRObushing.com

©2022 ATRO ENGINEERED SYSTEMS, INC.

ATRO Engineered Systems, Inc. is not liable for any errors herein. All manufacturers' names and part numbers are used without permission; no endorsement, affiliation, or recommendation is implied. They are included for reference purposes only.