

# PRODUCT SPOTLIGHT

*Complete Airglide 400 Conversion Kit from ATRO*

## SW59-29000-KIT

### Sway Bar Complete Conversion Kit

**Replaces:**

*Kenworth C65-1000 Bar Only*

*Kenworth C65-1013 Bar Only*

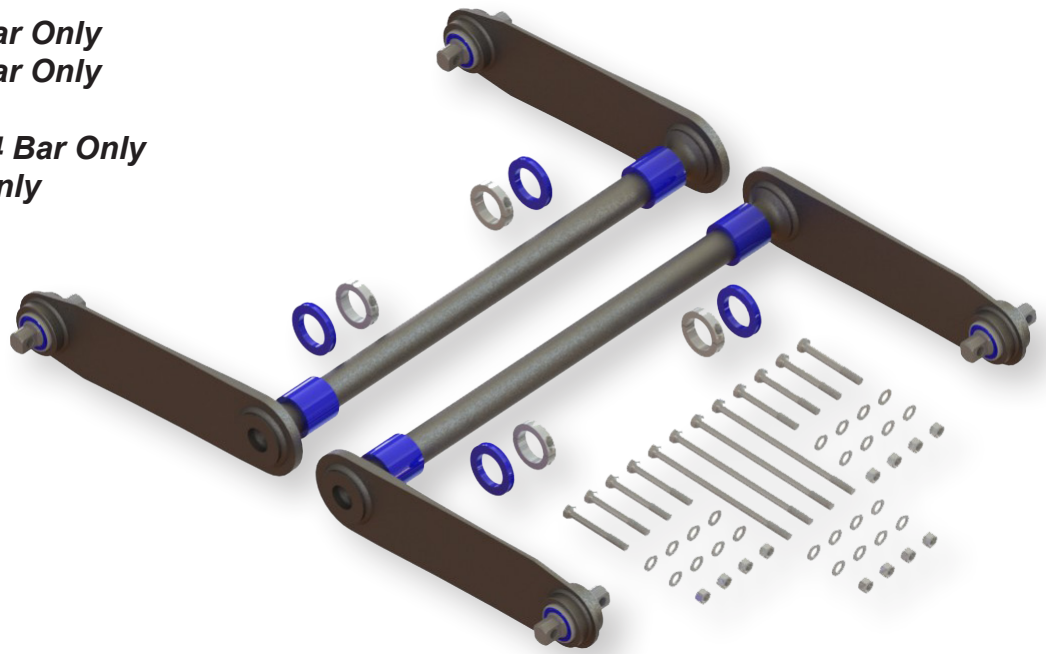
*Automann MK16955*

*Dayton Parts 334-1794 Bar Only*

*Gaumers 05546 Bar Only*

**Kit Contains:**

- (2) Sway Bars
- (4) End Bushings
- (4) Wrap Bushings
- (4) Thrust Bushings
- (4) Shaft Collars
- (4) M16x290mm Bolts
- (8) M16x120mm Bolts
- (24) M16 Flat Washers
- (12) M16 Locknuts



**Features:**

- **Durable, long lasting polyurethane wrap and thrust bushings**
- **Sway bar arms made of high strength, fatigue resistant steel**
- **Solid cross bar**
- **Extra reinforcement at the cross bar/arm connections**
- **Heavy duty, rotating polyurethane bushings to reduce stress in sway bar arms**

*52 inch axle spacing.*

*Both swaybars must be replaced to be covered under warranty.*



1250 Airport Road, Sullivan, Missouri 63080 USA

(800) 325-6114 • Fax (573) 860-8401

[www.atrobushing.com](http://www.atrobushing.com)

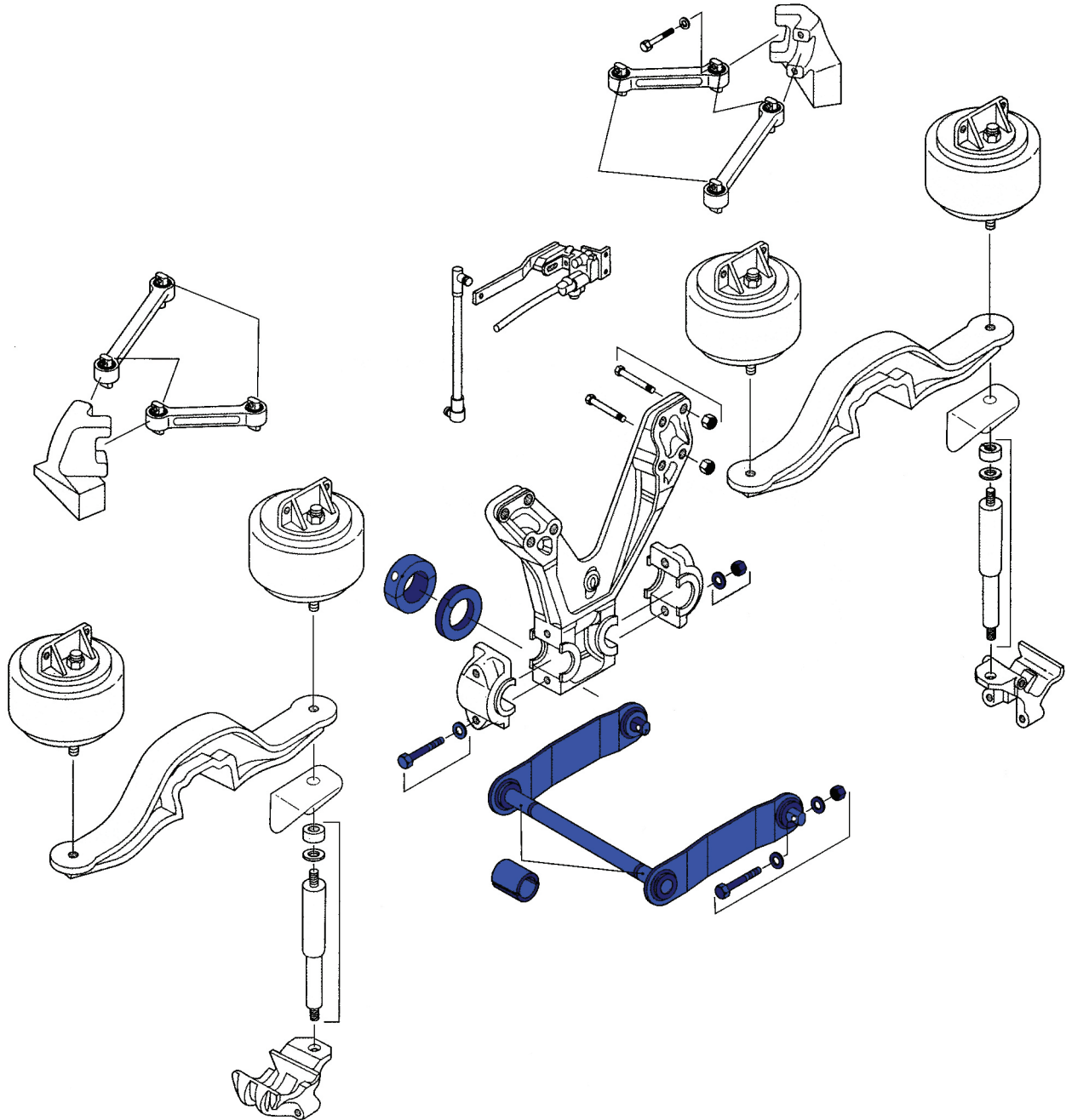
©2011 ATRO ENGINEERED SYSTEMS, INC.

ATRO is not liable for any errors herein. All manufacturers' names and part numbers used are trademarked by the respective manufacturer. These names and part numbers are being used without permission. No endorsement, affiliation or recommendation is implied. They are included for reference purposes only. Some products shown here are covered by Canadian Patent 1,327,979; Australian Patent 630,358.

PS002-102611 SW59-29000-KIT

# PRODUCT SPOTLIGHT

*Complete Airglide 400 Conversion Kit from ATRO*



1250 Airport Road, Sullivan, Missouri 63080 USA  
(800) 325-6114 • Fax (573) 860-8401  
[www.atrobushing.com](http://www.atrobushing.com)  
©2011 ATRO ENGINEERED SYSTEMS, INC.