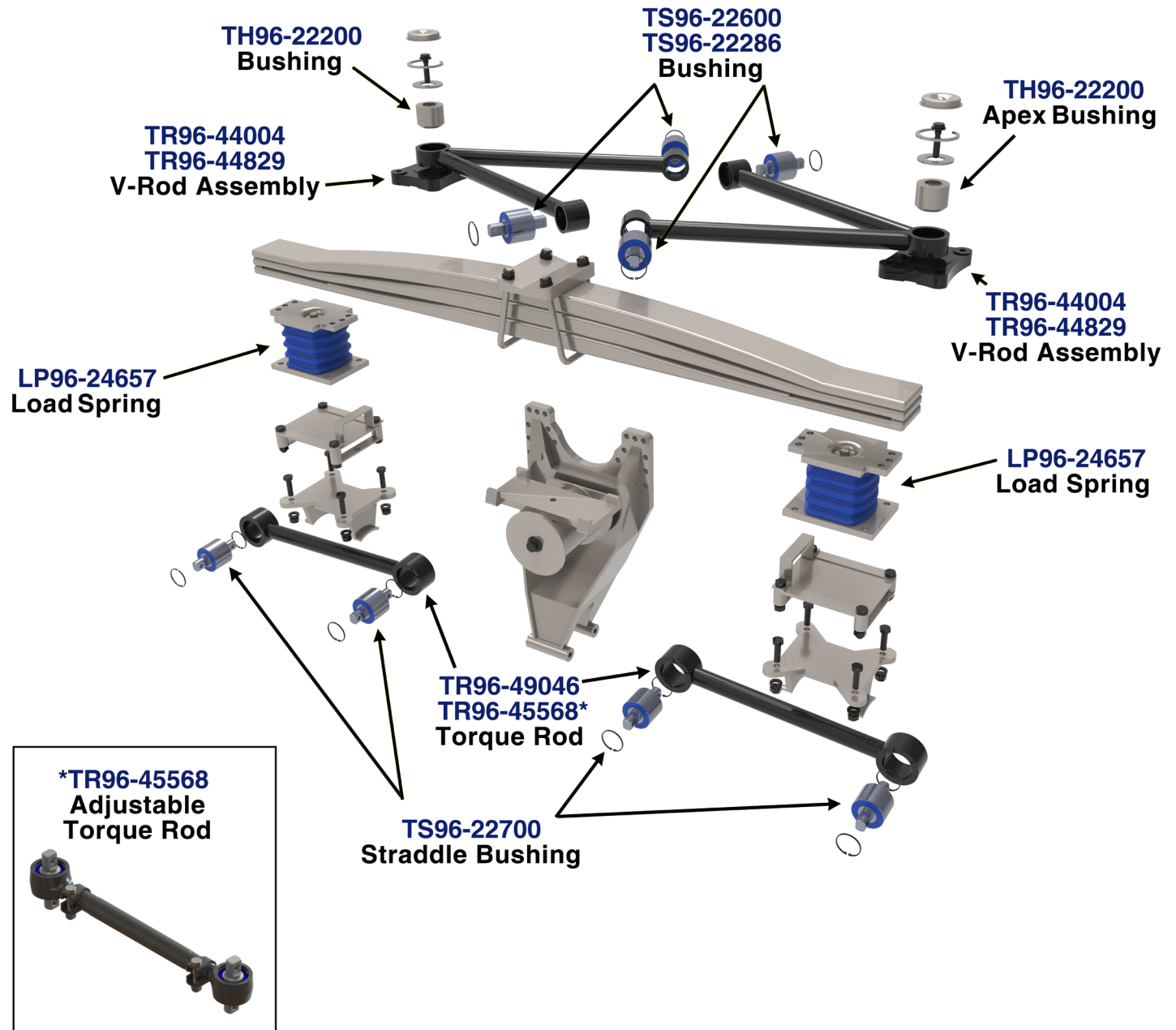


# SUSPENSION SCHEMATICS

## ATRO PARTS

ENGINEERED | DURABLE | RELIABLE  
MANUFACTURED IN ST. CLAIR, MISSOURI | U.S.A.

### VOLVO T-RIDE



CELEBRATING 30 YEARS  
**ATRO**  
POLYURETHANE • SOLUTIONS

POLYURETHANE PARTS | SOLUTIONS FOR HEAVY TRUCKS

ATROBUSHING.COM  
©2017 ATRO ENGINEERED SYSTEMS, INC.

6 Bolte Lane  
St. Clair, Missouri 63077 | U.S.A.  
(800) 325.6114 | Fax (866) 920.2005